

2-WIRE PROGRAMMABLE TRANSMITTER



- RTD, TC, Ohm, or mV input
- Extremely high measurement accuracy
- Version with galvanic isolation
- Programmable sensor error value
- For DIN form B sensor head mounting



Application:

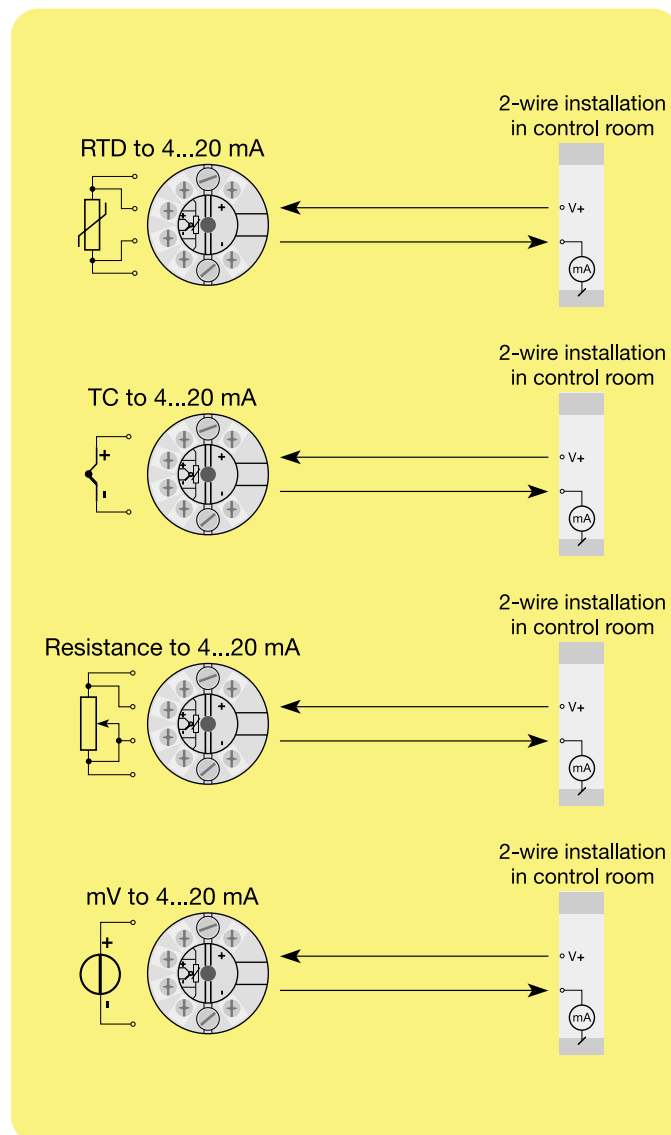
- Linearised temperature measurement with Pt100...Pt1000, Ni100...Ni1000, or TC sensor.
- Conversion of linear resistance variation to a standard analogue current signal, for instance from valves or Ohmic level sensors.
- Amplification of a bipolar mV signal to a standard 4...20 mA current signal.

Technical characteristics:

- Within a few seconds the user can program PR5331A to measure temperatures within all ranges defined by the norms.
- The RTD and resistance inputs have cable compensation for 2, 3 and 4-wire connection.
- Continuous check of vital stored data for safety reasons.

Mounting / installation:

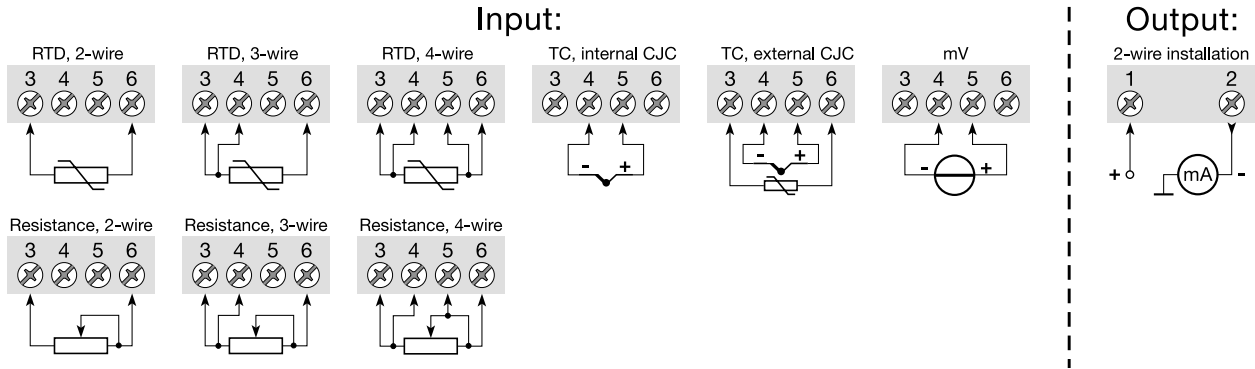
- For DIN form B sensor head or DIN rail mounting with a special fitting.



Order: 5331A

Type	Ambient temperature	Galvanic isolation
5331A	-40°C...+85°C : 3	None : A 1500 VAC : B

Connections:



Electrical specifications:

Specifications range:

-40°C to +85°C

Common specifications:

- Supply voltage, DC 7.2...35 V
- Voltage drop 7.2 VDC
- Isolation voltage, test/operation..... 1.5 kVAC / 50 VAC
- Communications interface Loop Link 5905
- Signal/noise ratio..... Min. 60 dB
- Signal dynamics, input 20 bit
- Signal dynamics, output..... 16 bit
- Accuracy, the greater of general and basic values:

General values		
Input type	Absolute accuracy	Temperature coefficient
All	≤ ±0.05% of span	≤ ±0.01% of span / °C

Basic values		
Input type	Basic accuracy	Temperature coefficient
RTD	≤ ±0.2°C	≤ ±0.01°C/°C
Lin.R	≤ ±0.1 Ω	≤ ±10 mΩ/°C
Volt	≤ ±10 μV	≤ ±1 μV/°C
TC type: E, J, K, L, N, T, U	≤ ±1°C	≤ ±0.05°C/°C
TC type: B, R, S, W3, W5	≤ ±2°C	≤ ±0.2°C/°C

EMC immunity influence.....	< ±0.5% of span
Extended EMC immunity: NAMUR NE 21, A criterion, burst.....	< ±1% of span

- Vibration IEC 68-2-6 Test FC
- Lloyd's specification no. 1..... 4 g / 2...100 Hz
- Humidity < 95% RH (non-cond.)
- Dimensions..... Ø 44 x 20.2 mm
- Tightness (enclosure/terminal) IP68 / IP00

Electrical specifications, input:

Max. offset..... 50% of selec. max. value

RTD and linear resistance input:

RTD type	Min. value	Max. value	Min. span
Pt100	-200°C	+850°C	25°C
Ni100	-60°C	+250°C	25°C
Lin.R	0 Ω	5000 Ω	30 Ω

Cable resistance per wire (max.) 5 Ω

Sensor current..... Nom. 0.2 mA

TC input:

Type	Min. temperature	Max. temperature	Min. span	Norm
B	+400°C	+1820°C	200°C	IEC584
E	-100°C	+1000°C	50°C	IEC584
J	-100°C	+1200°C	50°C	IEC584
K	-180°C	+1372°C	50°C	IEC584
L	-100°C	+900°C	50°C	DIN 43710
N	-180°C	+1300°C	100°C	IEC584
R	-50°C	+1760°C	200°C	IEC584
S	-50°C	+1760°C	200°C	IEC584
T	-200°C	+400°C	50°C	IEC584
U	-200°C	+600°C	75°C	DIN 43710
W3	0°C	+2300°C	200°C	ASTM E988-90
W5	0°C	+2300°C	200°C	ASTM E988-90

Cold junction compensation < ±1.0°C

Voltage input:

Measurement range -12...800 mV

Min. span..... 5 mV

Current output:

Signal range 4...20 mA

Min. signal range 16 mA

Updating time..... 440 ms

Load resistance..... ≤ (V_{supply} - 7.2) / 0.023 [Ω]

Sensor error detection:

Programmable..... 3.5...23 mA

Observed authority requirements: Standard:

EMC 89/336/EEC, Emission..... EN 50 081-1, EN 50 081-2

Immunity..... EN 50 082-2, EN 50 082-1

Of span = Of the presently selected range