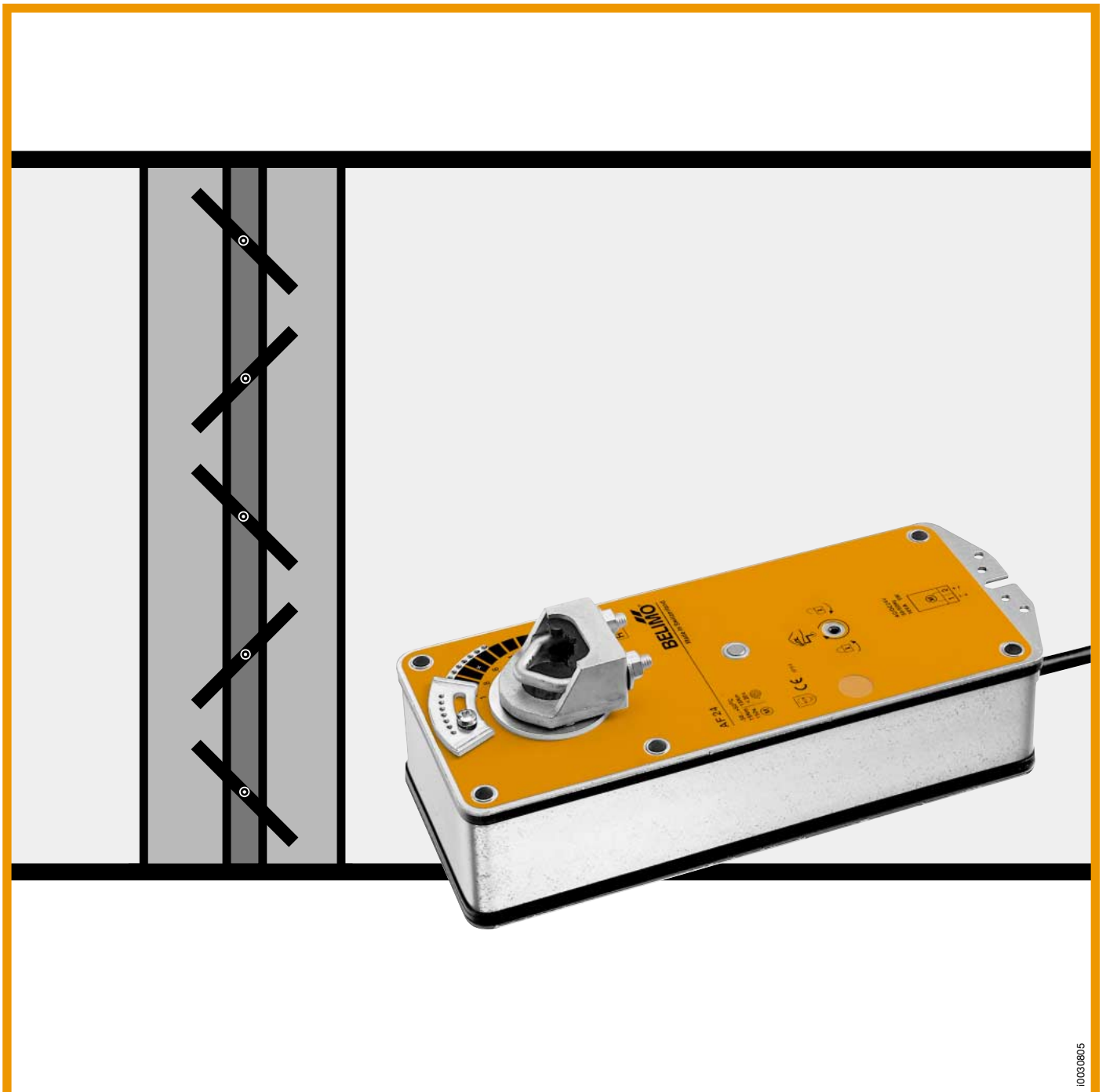


2. AF-4



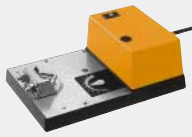



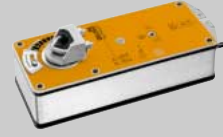


Product Information

Damper actuators with spring return

AF



The complete range of damper actuators for general use in HVAC systems

Type	LM	NM	SM	AM	GM	LF	AF(R)
							
Torque	4 Nm	8 Nm	15 Nm	18 Nm	30 Nm	4 Nm	15 Nm
Spring return function	-	-	-	-	-		
For dampers up to approx.	0.8 m ²	1.5 m ²	3 m ²	3.6 m ²	6 m ²	0.8 m ²	3 m ²

10101805

For more information, please contact your Belimo Representative or order any brochures you need by fax.

Fax to: **BELIMO** (address overleaf)

Please send us product brochures on the following damper actuators:

LM... NM... SM... AM... GM... LF... AFR... Electrical accessories

Please also send information on:

- Motorized fire and smoke dampers
- Variable air-volume control (VAV-Control)
- Rotary-motion actuators and valves
- Linear-motion actuators and valves

Please call us back

Sender

Company: _____

Name: _____

Address: _____

Post code: _____

Country: _____

Tel.: _____

Fax: _____

E-Mail: _____

Date: _____

Selection table

		AF24	AF24-S	AF230	AF230-S	AF24-SR
Torque	15 Nm					
Nominal voltage	AC 24 V	•	•			•
	DC 24 V	•	•			•
	AC 230 V				•	•
Running time	motor ≈ 150 s	•	•	•	•	•
	spring return ≈ 16 s	•	•	•	•	•
Control	Open/Close	•	•	•	•	
	modulating DC 0...10 V or 0...20 V phasecut					•
Integral auxiliary switches (fixed/adjustable)				•		•
Continuous position feedback						•
Manual operation with integral position stop		•	•	•	•	•

Spring return actuators, Open/Close

AF24	4
AF24-S	4
AF230	5
AF230-S	5

Spring return actuator, modulating

AF24-SR	6
Control / monitoring functions AF24-SR	7

Mechanical accessories

General mounting accessories	8
Damper linkage kit	9

Mounting instructions	10
------------------------------	-----------

Note

Using BELIMO damper actuators

The actuators listed in this catalogue are intended for the operation of air dampers in HVAC systems.

Torque requirements

When calculating the torque required to operate dampers, it is essential to take into account all the data supplied by the damper manufacturer concerning cross sectional area, design, mounting and air flow conditions.



p0017805

Dampers up to approx. 3 m²

**Open/Close actuator
(AC/DC 24 V)**

**Manual operation with
integral position stop**

Versatile applications

The AF... spring return actuators are intended for the operation of air dampers that perform safety functions (e.g. frost and smoke protection, hygiene, etc.).

Improved functional safety

The AF ... actuator moves the damper to its normal working position while tensioning the return spring at the same time. If the power supply is interrupted, the energy stored in the spring moves the damper back to its safe position.

The actuator is overload proof, needs no limit switches and halts automatically at the end stop.

Variable end switch

The AF24-S actuator has one fixed auxiliary switch and one adjustable auxiliary switch which allows angle of rotation of 5% and between 28...94% to be signalled.

Simple installation and commissioning

The actuator is fitted with a universal spindle clamp for quick and easy mounting directly onto the damper spindle. The actuator is also supplied with an anti-rotation strap for fixing it in position. The damper can be operated manually and fixed in any required position. Release of the locking mechanism can be achieved manually or automatically by applying the supply voltage.

Mechanical accessories

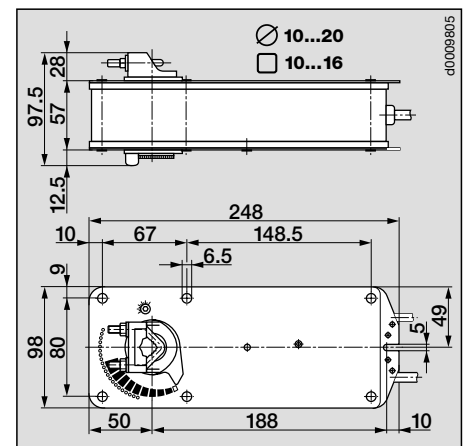
ZG-AF Damper linkage kit, page 9

Mounting instructions, page 10

Important

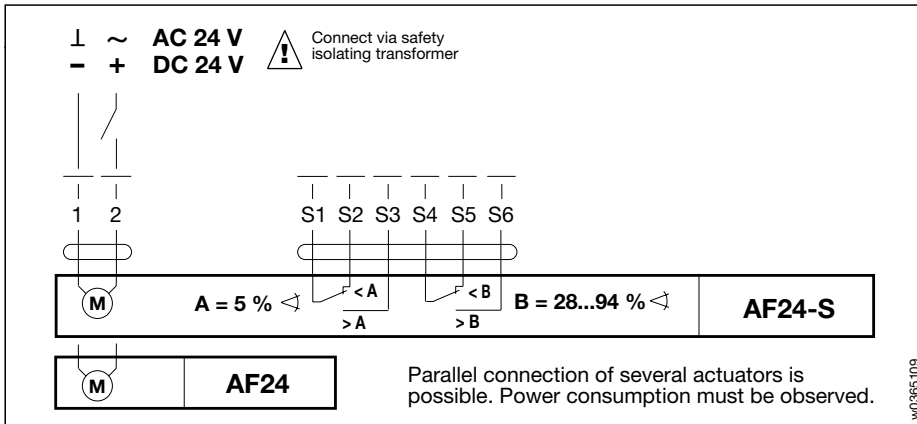
Read the notes about the use and torque requirements of the damper actuators on page 3.

Dimensions



d0009805

Wiring diagram



w0385109

Technical data	AF24, AF24-S
Nominal voltage	AC 24 V 50/60 Hz, DC 24 V
Nominal voltage range	AC 19.2...28.8 V, DC 21.6...26.4 V
For wire sizing	10 VA
Power consumption	
– motoring	5 W
– holding	1.5 W
Connecting cable	– motor 1 m long, 2×0.75 mm ² – auxiliary switches (AF...-S) 1 m long, 6×0.75 mm ²
Auxiliary switch (AF...-S)	2×SPDT 6 (3) A, AC 250 V <input type="checkbox"/>
– Switching points	fixed 5 % \sphericalangle , adjustable 28...94% \sphericalangle
Direction of rotation	selected by mounting L/R
Torque	– motor min. 15 Nm (at rated voltage) – spring return min. 15 Nm
Angle of rotation	max. 95° (adjustable from 33% in 5.5% steps \sphericalangle with a supplied limit stop)
Running time	motor \approx 150 s, spring return \approx 16 s
Sound power level	motor max. 45 dB(A), spring \approx 62 dB(A)
Service life	\approx 60 000 operations
Position indication	mechanical
Protection class	\diamond (safety extra-low voltage)
Degree of protection	IP 54
Ambient temp. range	–30... +50 °C
Non-operating temp.	–40... +80 °C
Humidity test	to EN 60335-1
EMC	CE according to 89/336/EEC, 92/31/EEC, 93/68/EEC
Low Voltage Directive	CE according to 73/23/EEC
Maintenance	maintenance free
Weight	3000 g



Dampers up to approx. 3 m²

Open/Close actuator (AC 230 V)

Manual operation with integral position stop

Versatile applications

The AF... spring return actuators are intended for the operation of air dampers that perform safety functions (e.g. frost and smoke protection, hygiene, etc.).

Improved functional safety

The AF 230 actuator moves the damper to its normal working position while tensioning the return spring at the same time. If the power supply is interrupted, the energy stored in the spring moves the damper back to its safe position.

The actuator is overload proof, needs no limit switches and halts automatically at the end stop.

Variable end switch

The AF230-S actuator has one fixed auxiliary switch and one adjustable auxiliary switch which allows angle of rotation of 5% and between 28...94% to be signalled.

Simple installation and commissioning

The actuator is fitted with a universal spindle clamp for quick and easy mounting directly onto the damper spindle. The actuator is also supplied with an anti-rotation strap for fixing it in position. The damper can be operated manually and fixed in any required position. Release of the locking mechanism can be achieved manually or automatically by applying the supply voltage.

Mechanical accessories

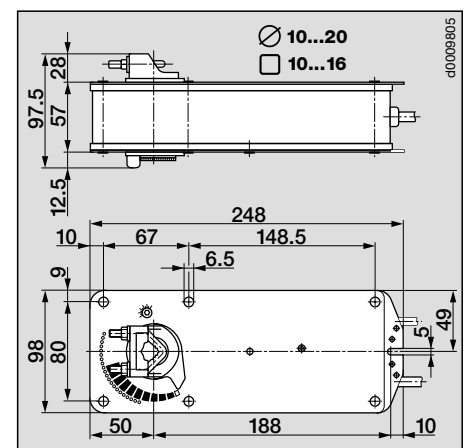
ZG-AF Damper linkage kit, page 9

Mounting instructions, page 10

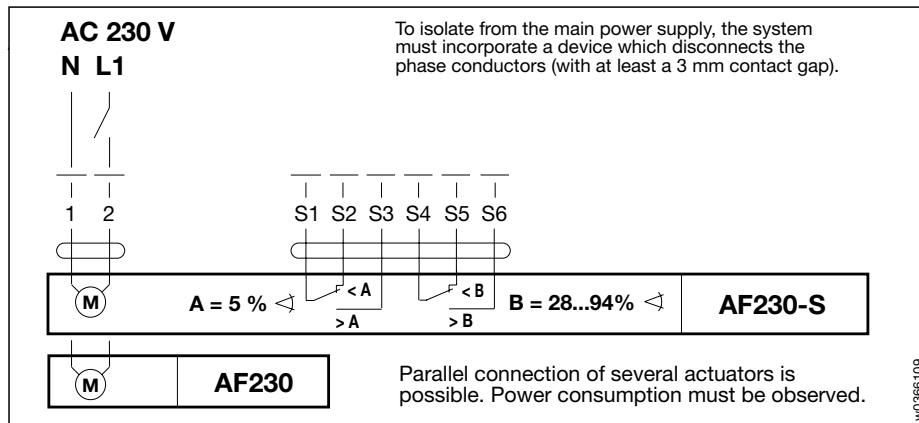
Important

Read the notes about the use and torque requirements of the damper actuators on page 3.

Dimensions



Wiring diagram

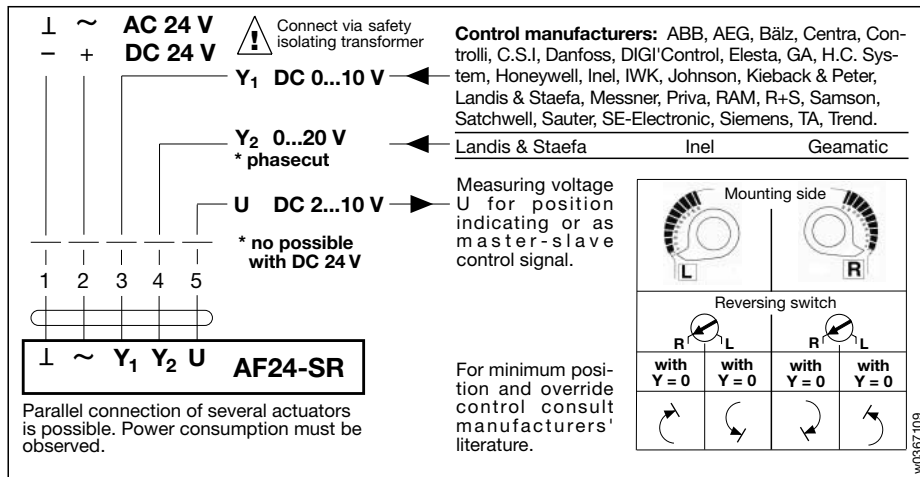


Technical data	AF230, AF230-S
Nominal voltage	AC 230 V 50/60 Hz
Nominal voltage range	AC 198...264 V
For wire sizing	11 VA
Power consumption	
- motoring	6.5 W
- holding	2.5 W
Connecting cable	- motor 1 m long, 2×0.75 mm ² - auxiliary switches (AF...-S) 1 m long, 6×0.75 mm ²
Auxiliary switch (AF...-S)	2×SPDT 6 (3) A, AC 250 V <input type="checkbox"/>
- Switching points	fixed 5% ∇ , adjustable 28...94% ∇
Direction of rotation	selected by mounting L/R
Torque	- motor min. 15 Nm (at rated voltage) - spring return min. 15 Nm
Angle of rotation	max. 95° (adjustable from 33% in 5.5% steps ∇ with a supplied limit stop)
Running time	motor \approx 150 s, spring return \approx 16 s
Sound power level	motor max. 45 dB(A), spring \approx 62 dB(A)
Service life	\approx 60 000 operations
Position indication	mechanical
Protection class	II (all insulated)
Degree of protection	IP 54
Ambient temp. range	-30... +50 °C
Non-operating temp.	-40... +80 °C
Humidity test	to EN 60335-1
EMC	CE according to 89/336/EEC, 92/31/EEC, 93/68/EEC
Low Voltage Directive	CE according to 73/23/EEC
Maintenance	maintenance free
Weight	3300 g



p0019805

Wiring diagram



w0367109

Technical data	AF24-SR
Nominal voltage	AC 24 V 50/60 Hz, DC 24 V
Nominal voltage range	AC 19.2...28.8 V, DC 21.6...28.8 V
For wire sizing	10 VA
Power consumption	6 W motoring, 2.5 W holding
Connecting cable	1 m long, 5×0.75 mm ²
Control signal Y ₁	DC 0...10 V @ input resistance 100 kΩ (0.1 mA)
Control signal Y ₂	0...20 V phasecut @ input resistance 8 kΩ (50 mW)
Operating range	DC 2...10 V (at control signal Y ₁) 2...10 V phasecut (at control signal Y ₂)
Measuring voltage U	DC 2...10 V @ max. 0.5 mA (for 0...100% angle of rotation)
Synchronisation tolerance	± 5%
Direction of rotation	– motor selected with switch L/R – spring selected by L/R mounting
Torque	– motor min. 15 Nm (at rated voltage) – spring return min. 15 Nm
Angle of rotation	max. 95° (adjustable from 33% in 5.5% steps ↯ with a supplied limit stop)
Running time	motor 150 s, spring return ≈ 16 s
Sound power level	motor max. 45 dB(A), spring ≈ 62 dB(A)
Service life	≈ 60 000 operations
Position indication	mechanical
Protection class	⊕ (safety extra-low voltage)
Degree of protection	IP 54
Ambient temperature range	–30...+50 °C
Non-operating temperature	–40...+80 °C
Humidity test	to EN 60335-1
EMC	CE according to 89/336/EEC, 92/31/EEC, 93/68/EEC
Maintenance	maintenance-free
Weight	2700 g

- Dampers up to approx. 3 m²**
- Modulating actuator (AC/DC 24V)**
- Control DC 0...10 V or 0...20 V phasecut**
- Position feedback DC 2...10 V**
- Manual operation with integral position stop**

Versatile applications

For the operation of air dampers that perform safety functions (e.g. frost and smoke protection, hygiene, etc.).

Improved functional safety

The AF24-SR actuator moves the damper to its normal working position while tensioning the return spring at the same time. If the power supply is interrupted, the energy stored in the spring moves the damper back to its safe position.

The actuator is overload proof, needs no limit switches and halts automatically at the end stop.

Simple installation and commissioning

The actuator is fitted with a universal spindle clamp for quick and easy mounting directly onto the damper spindle. The actuator is also supplied with an anti-rotation strap for fixing it in position. The damper can be operated manually and locked in any required position. Release of the locking mechanism can be achieved manually or automatically by applying the supply voltage.

If manual operation is used while the power supply is still switched on, the actuator will check itself by running first to the start position and then to the position dictated by the control signal Y.

Electrical accessories (see Doc. 2. Z-...)

- SG...24 Positioners
- ZAD24 Digital position indicator

Mechanical accessories

- ZG-AF Damper linkage kit, page 9

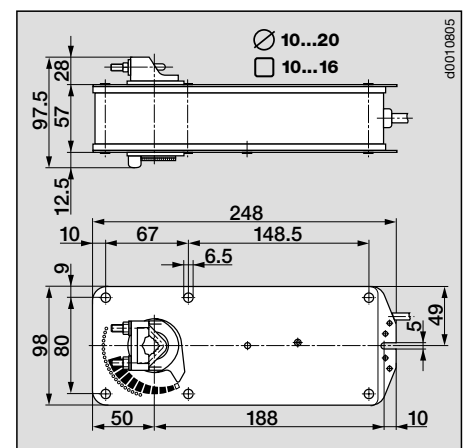
Control and monitoring functions, page 7

Mounting instructions, page 10

Important

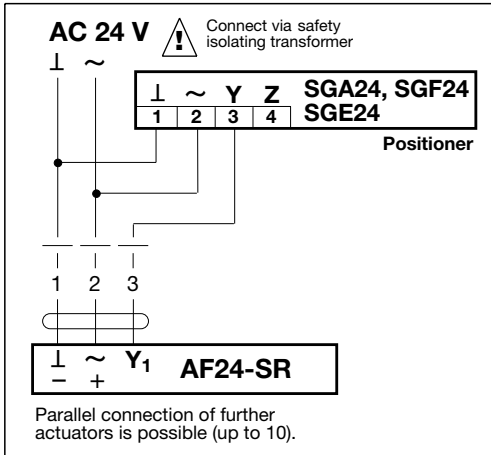
Read the notes about the use and torque requirements of the damper actuators on page 3.

Dimensions

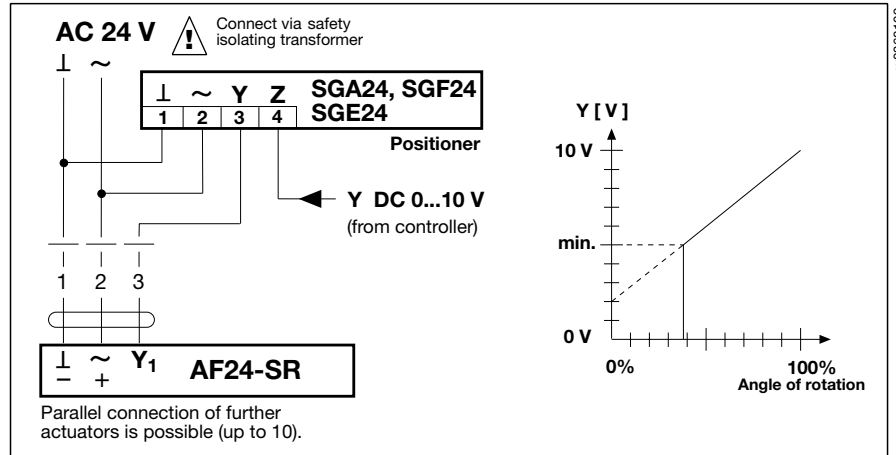


d0019805

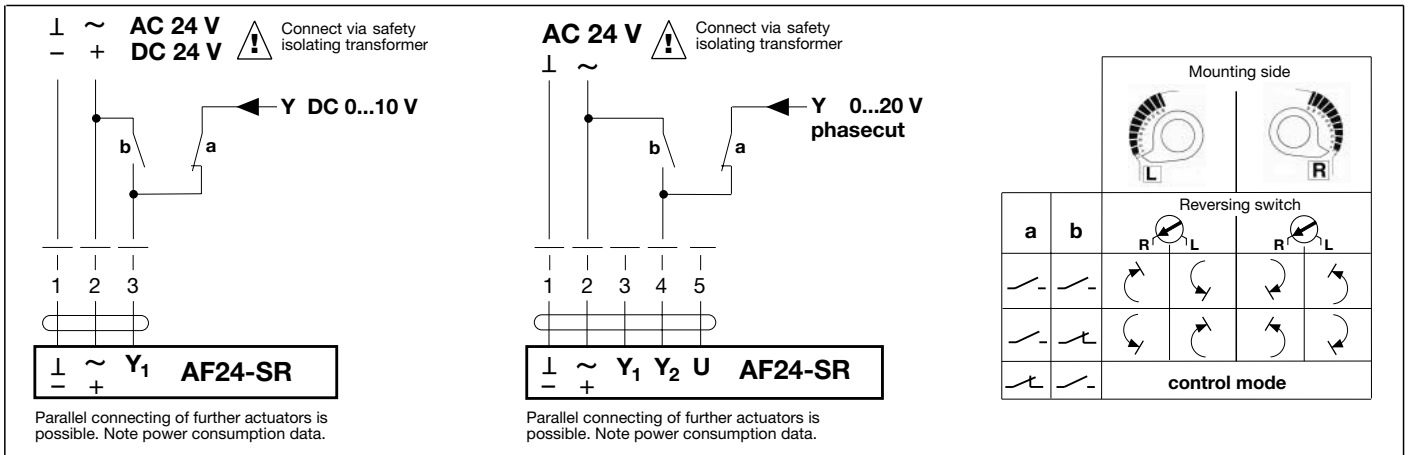
Remote control 0...100%



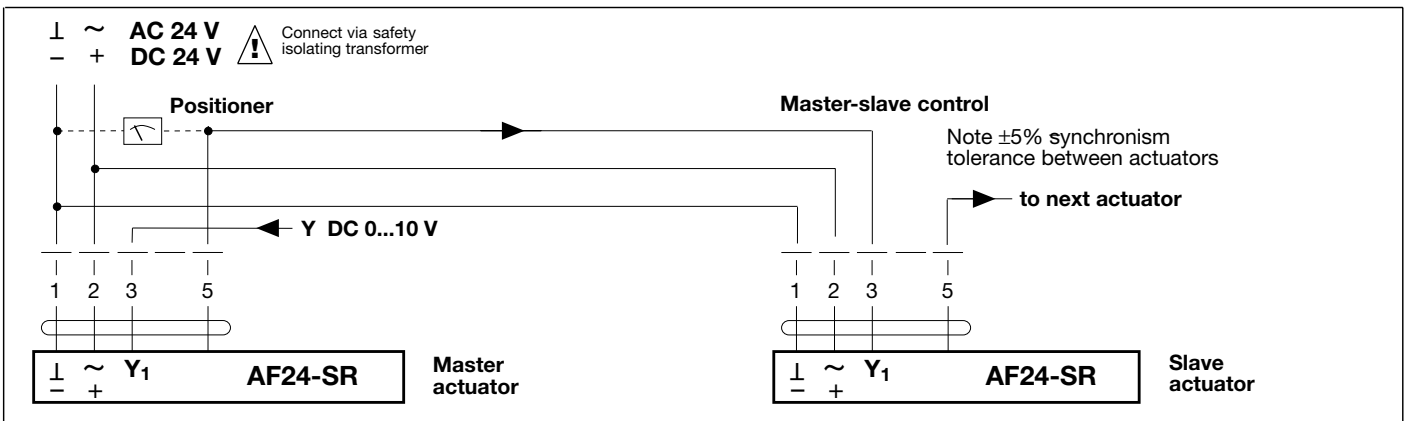
Minimum position



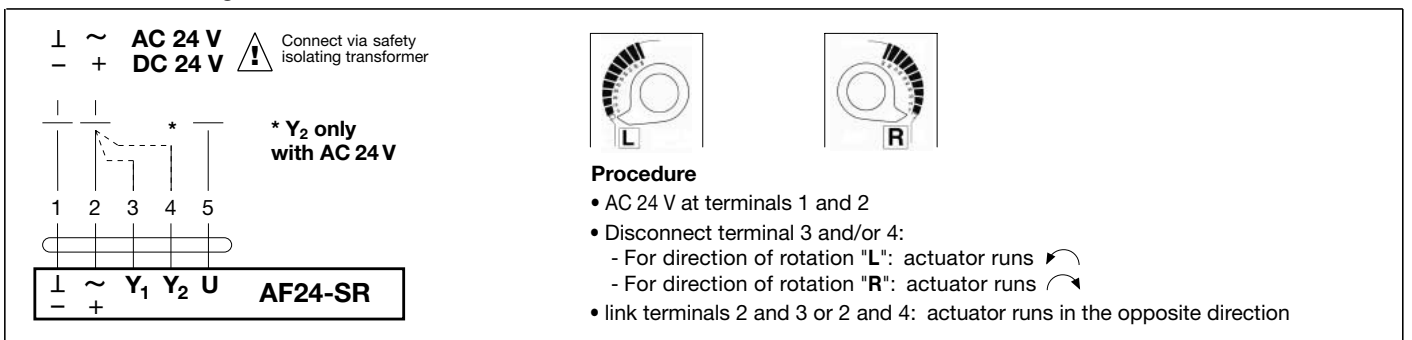
Override control



Position indication and/or master-slave control (depending on position)



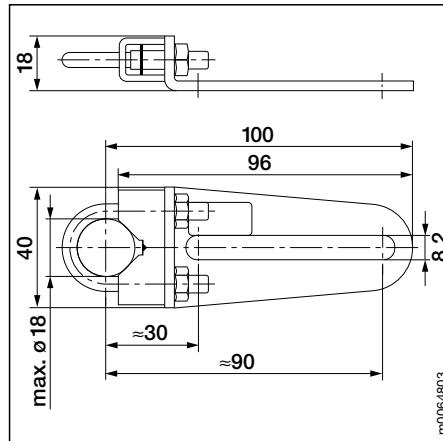
Function monitoring



KH8, KH6



m0063803



m0064803

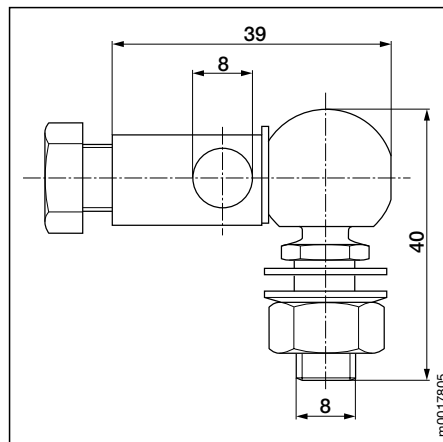
KH8 Universal crank arm
Zinc-plated steel; suitable for damper spindles 10...18 mm diameter or 10...14 mm², slot width 8.2 mm.

KH6 Universal crank arm
as Type KH8, but slot width 6.2 mm.

KG8



m0016712



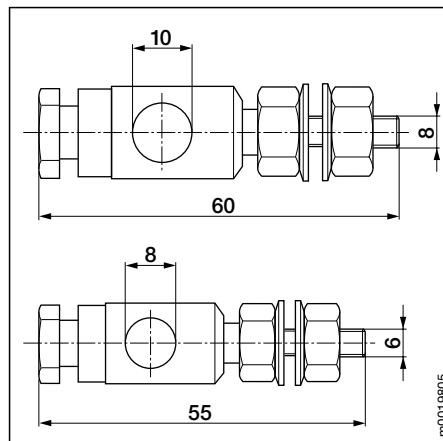
m0017805

KG8 Ball joint
Zinc-plated steel; suitable for use with KH8 universal crank arms and round steel rod 8 mm diameter.

KG10, KG6



m0016707



m0019805

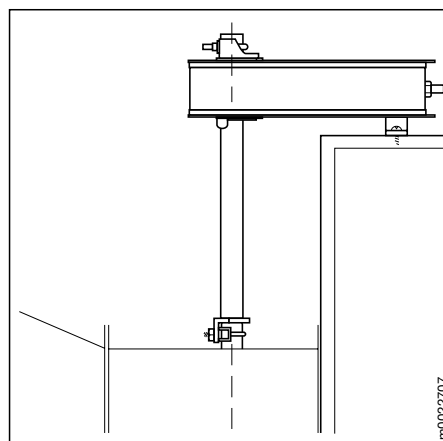
KG10 Ball joint
Zinc-plated steel; suitable for use with KH8 and KH6 universal crank arms and round steel rod 10 mm diameter.

KG6 Ball joint
Zinc-plated steel; suitable for use with KH6 universal crank arms and round steel rod 8 mm diameter.

AV10-18

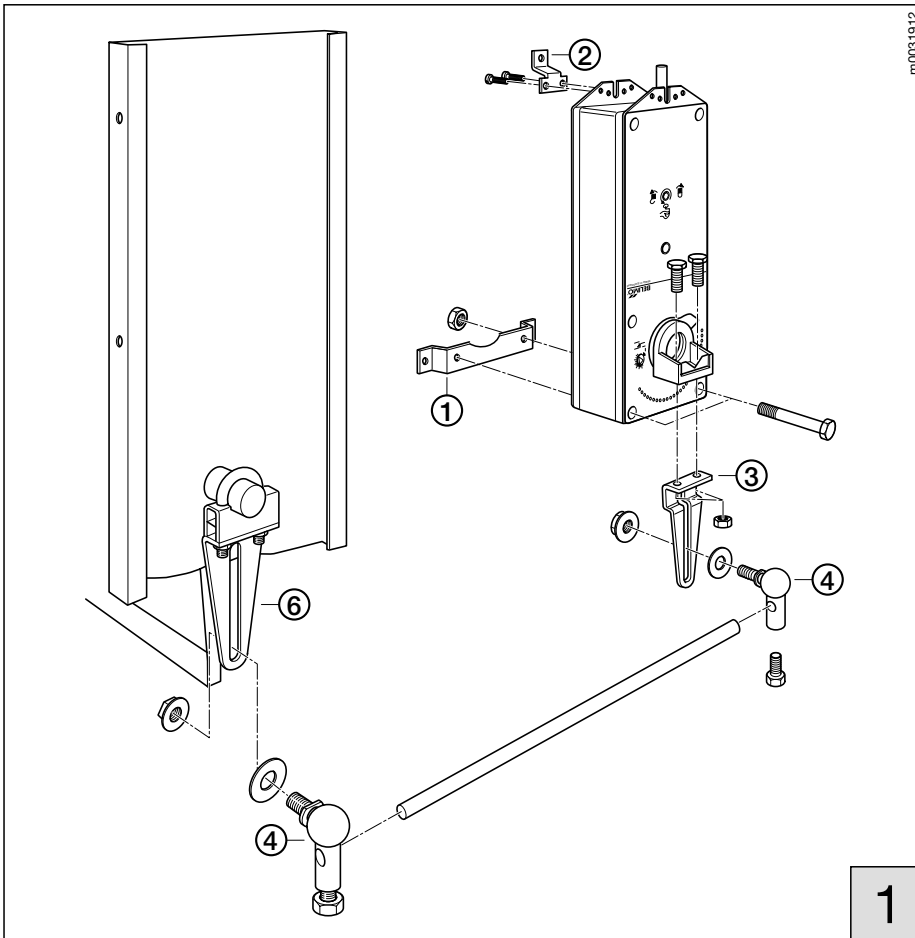


m0020707



m0020707

AV10-18 Universal spindle extension
approx. 240 mm long; for damper spindles 10...18 mm diameter or 10...14 mm².



m0031912

Application

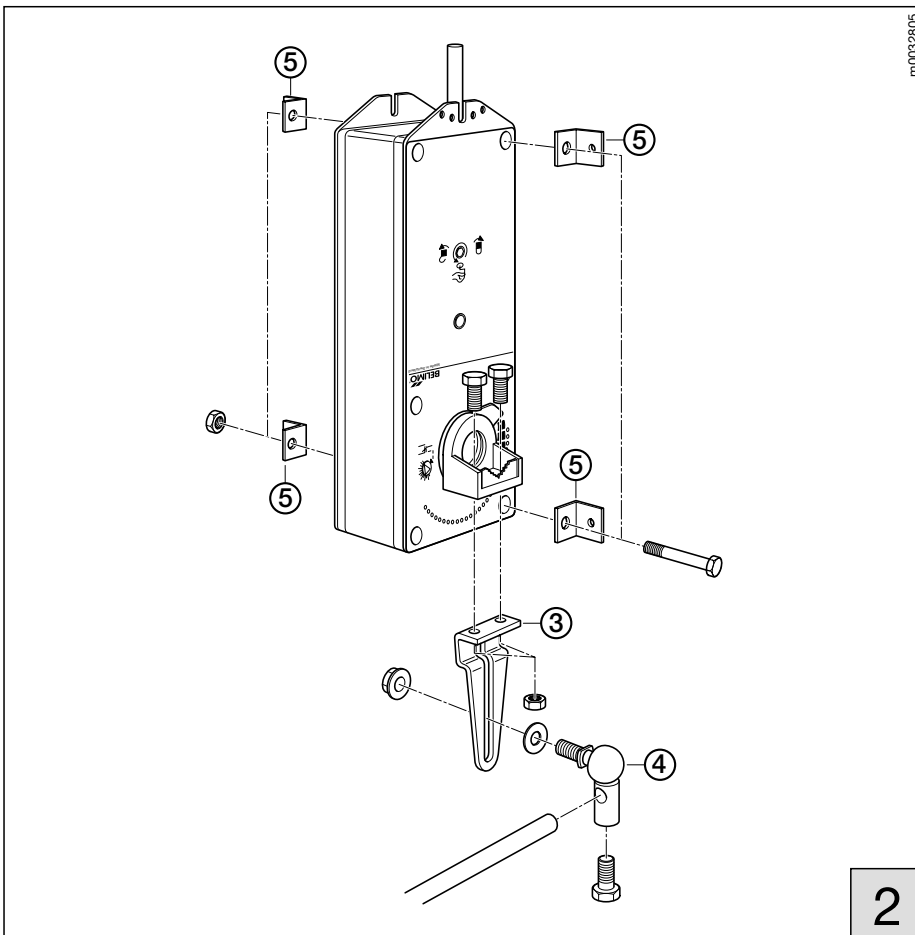
The ZG-AF mounting accessory is used for fitting this type of spring return actuator and for actuating safety dampers when it is impossible to mount the actuator directly on the damper spindle.

Kit specification

- ① – Front mounting bracket
- ② – Rear mounting bracket
- ③ – Crank arm AF
- ④ – 2 ball joints KG8
- ⑤ – 4 mounting brackets
 - 2 screws M6 x 16
 - 2 screws M6 x 65 with nuts
 - 5 self-tapping screws
- ⑥ – Universal crank arm:
order separately, not included with the ZG-AF mounting accessory.

Flat mounting (Fig. 1)

The spring return actuator is attached to the air duct by means of the two brackets.



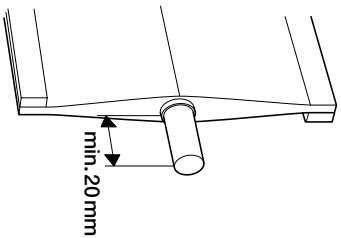
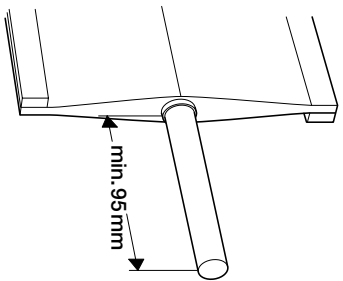
m0032805

Side mounting (Fig. 2)

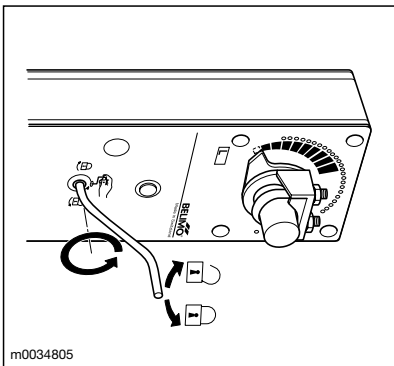
In this case four identical brackets are used for attaching the actuator instead of the other two brackets.

Linkage mounting (Figs. 1 and 2)

A slotted lever (KH8) is substituted for the U-bolt in the shaft adaptor of the spring return actuator. A second slotted lever is attached to the damper spindle. The rotation of the actuator is transmitted to the damper spindle by means of a connecting rod and two ball joints bolted to the slotted levers.

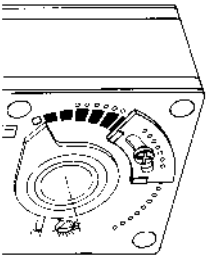
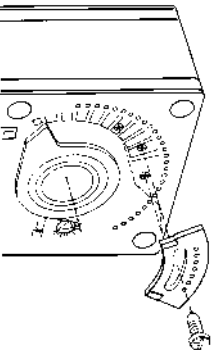
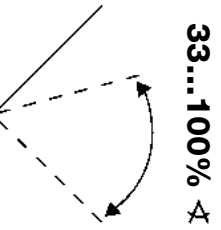
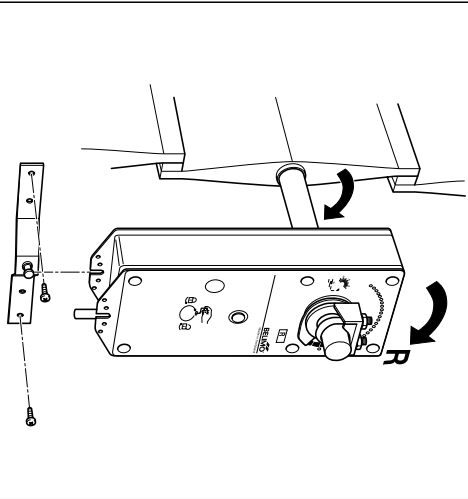
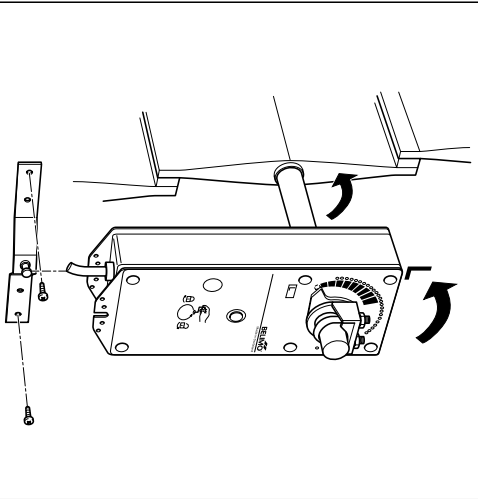
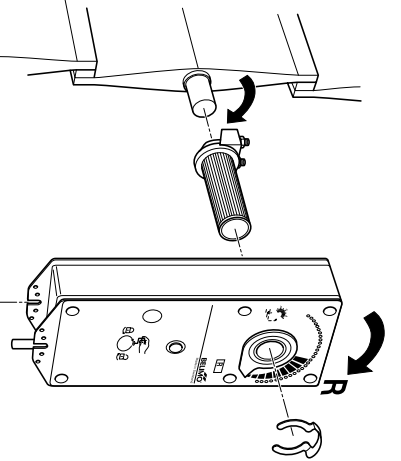
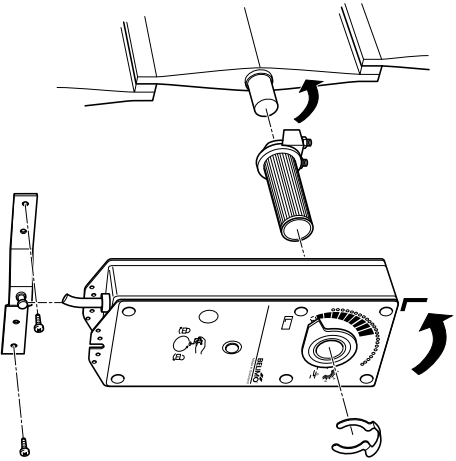
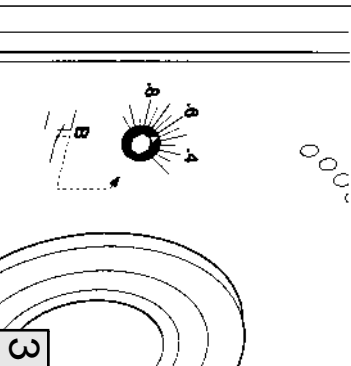
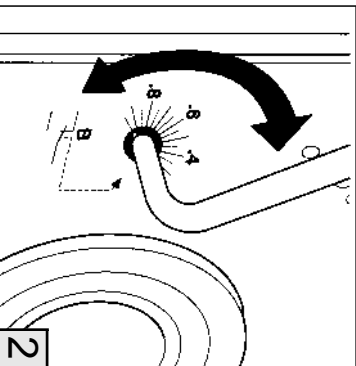
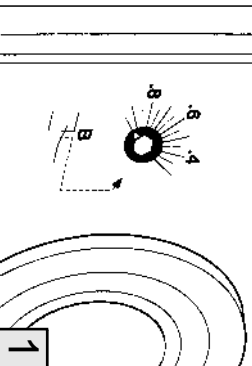


m0033907

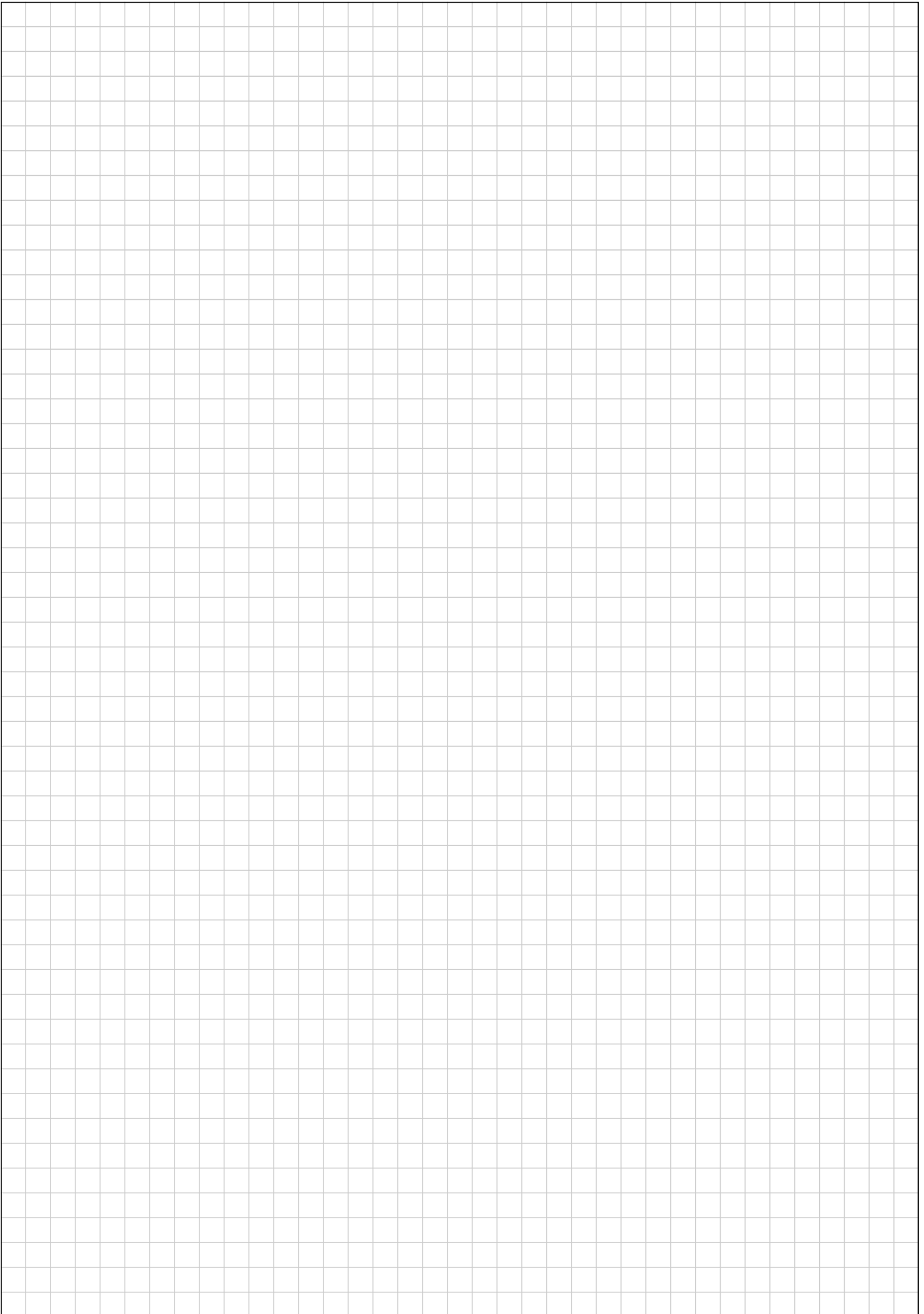


AF 24-S, AF 230-S

m0035907



m0077103



Innovation, Quality and Consultancy: A partnership for motorizing HVAC actuators

Air applications



Standard actuators and spring-return actuators for air control dampers in HVAC systems.

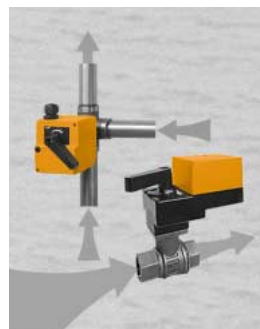


Safety actuators for motorizing fire and smoke extraction dampers



VAV systems for individual room air control

Water applications



Mixing actuators and motorized ball valves for HVAC water circuits



Globe valves and intelligent linear actuators – also for leading makes of valve

Belimo Headquarters

CH BELIMO Holding AG
Guyer-Zeller-Strasse 6
8620 Wetzikon, Switzerland
Tel. ++41 (0) 1 933 11 11
Telefax ++41 (0) 1 933 12 68
E-Mail: info@belimo.ch
Internet: http://www.belimo.ch

Belimo Subsidiaries

AT/ BELIMO Automation
HR/ Handelsgesellschaft m.b.H.
HU/ Geiselbergstrasse 26-32
SI/ 1110 Wien, Austria
SK Tel. ++43 (0) 1 749 03 61-0
Telefax ++43 (0) 1 749 03 61-99
E-Mail: info@belimo.at

CA BELIMO Aircontrols (CAN), Inc.
5716 Coopers Ave., Units 14&15
Mississauga, Ontario L4Z 2E8
Canada
Tel. ++1 (1)905 712 31 18
Telefax ++1 (1)905 712 31 24
E-Mail: webmaster@belimo.com

CH BELIMO Automation AG
Sales Switzerland
Guyer-Zeller-Strasse 6
8620 Wetzikon, Switzerland
Tel. ++41 (0) 1 933 12 12
Telefax ++41 (0) 1 933 12 66
E-Mail: verkch@belimo.ch
Internet: http://www.belimo.ch

DE BELIMO Stellantriebe
Vertriebs GmbH,
Welfenstr. 27, Postfach 72 02 30
70599 Stuttgart, Germany
Tel. ++49 (0)711 1 67 83-0
Telefax ++49 (0)711 1 67 83-73
E-Mail: info@belimo.de
Internet: http://www.belimo.de

ES BELIMO Ibérica
de Servomotores, S.A.
C/San Romualdo, 12-14
28037 Madrid, Spain
Tel. ++34 91 304 11 11
Telefax ++34 91 327 25 39
E-Mail: info@belimo.es

FR BELIMO Servomoteurs
Z.A. de Courtry
33, Rue de la Régale
77181 Courtry, France
Tél. ++33 (0) 1 64 72 83 70
Telefax ++33 (0) 1 64 72 94 09
E-Mail: mail@belimo.fr

GB BELIMO Automation UK Limited
The Lion Centre
Hampton Road West
Feltham, Middlesex, Great Britain
TW 13 6DS
Tel. ++44 (0)20 8755 4411
Telefax ++44 (0)20 8755 4042
E-Mail: belimo@belimo.co.uk

HK BELIMO Actuators Ltd.
Room 208, 2/F
New Commerce Centre
19 On Sum Street, Shatin, N.T.
Hong Kong
Tel. ++852 26 87 17 16
Telefax ++852 26 87 17 95
E-Mail: info@belimo.com.hk

SG BELIMO Actuators Pte Ltd
2, Jurong East Street 21
#04-31F IMM Building
Singapore 609601
Tel. ++65 564 9828
Telefax ++65 564 9038
E-Mail: info@belimo.com.sg

US BELIMO Aircontrols (USA), Inc.
43 Old Ridgebury Road
P.O. Box 2928
Danbury, CT 06810 USA
Tel. ++1 (1)203 791 99 15
Telefax ++1 (1)203 792 29 67
E-Mail: webmaster@belimo.com
Internet: http://www.belimo.com

Belimo Representatives and Agencies

AE BELIMO Automation
Middle East Office
P.O. Box 55427
Dubai, U.A.E.
Tel. ++971 (0)4 387 417
Telefax ++971 (0)4 387 415
E-Mail: belimome@emirates.net.ae

AU BELIMO Australia Pty. Ltd.
P.O. Box 990,
Braeside VIC 3195, Australia
entr. B, ap. 25
Tel. ++61 (03) 9587 8244
Telefax ++61 (03) 9587 8233
E-Mail: belimo@net2000.com.au

BE BELIMO Automation N.V.-S.A.
Leuvensesteenweg 613
1930 Zaventem, Belgium
Tel. ++32 (0)2 757 92 95
Telefax ++32 (0)2 757 90 36
E-Mail: info@belimo.be

BG BELIMO Bulgaria Ltd.
i.k. Borovo, bl. 223A
entr. B, ap. 25
1680 Sofia, Bulgaria
Tel. ++3592 958 18 04
Telefax ++3592 54 58 95
E-Mail: belimo@intech.bg

CN BELIMO Actuators Ltd.
18 FA3, 585 Longhua West-Road
200232 Shanghai, China
Tel. ++86 21 6469 2895
Telefax ++86 21 6469 2909
E-Mail: shanghai@belimo.com.hk

CN BELIMO Beijing
Rm 605, Beijing Hai Chang
Edifice, 44, Liang Ma Qiao Road
Chao Yang District
100016 Beijing, China
Tel. ++86 10 6462 1382
Telefax ++86 10 6462 1383
E-Mail: beijing@belimo.com.hk

CY R.E.S. Ltd.
P.O. Box 8297
Nicosia, Cyprus
Tel. ++357 (0)2 51 10 07
Telefax ++357 (0)2 49 65 47
E-Mail: reliance@spidernet.com.cy

CZ BELIMO CZ (Ing. Ivar Mentzl)
Charkovská 16
10100 Praha 10, Czech Republic
Tel. ++420 (0)2 717 40 311
Telefax ++420 (0)2 717 43 057
E-Mail: info@belimo.cz

DK BELIMO A/S
Thomas Helstedsvvej 7A
8660 Skanderborg, Denmark
Tel. ++45 86 52 44 00
Telefax ++45 86 52 44 88
E-Mail: info@belimo.dk

EE BELIMO Balticum AS
Tõri 10 d
11313 Tallinn, Estonia
Tel. ++372 6 140 811
Telefax ++372 6 140 812
E-Mail: info@belimo.ee

FI Oy Suomen BELIMO Ab
Insinöörinkatu 2
00810 Helsinki, Finland
Tel. ++358 (09) 75 11 65 00
Telefax ++358 (09) 75 11 65 31
E-Mail: belimo@belimo.fi

GR BELIMO Air Controls
29, Tagm. Plessa, Kallithea
GR 17674 Athens, Greece
Tel. ++30 (0) 1 94 00 766
Telefax ++30 (0) 1 94 00 767
E-Mail: belimogr@tee.gr

IE Safegard Systems Ltd.
Systems House, Unit 34
Southern Cross Business Park
Bray, Co Wicklow, Ireland
Tel. ++353 (0)1 2761600
Telefax ++353 (0)1 2761611
E-Mail: safegard@iol.ie

IL Shemer Representations
P.O. Box 296
56101 Yehud, Israel
Tel. ++972 3 536 51 67
Telefax ++972 3 536 05 81
E-Mail: shem_rep@netvision.net.il

IN BELIMO Vitek Air Controls
C-114 Lancelot, First Floor
S.V. Road, Borivali (West)
Mumbai 400 092, India
Tel. ++91 22 806 21 63
Telefax ++91 22 806 21 63
E-Mail: bvac@bom2.vsnl.net.in

IS Hitatækni ehf.
Langhóltsvegur 109
104 Reykjavík, Iceland
Tel. ++354 5 88 60 70
Telefax ++354 5 88 60 71
E-Mail: fridmar@hitataekni.is

IT BELIMO Servomotori S.r.l.
Via Stezzano, 5
24050 Zanica BG, Italy
Tel. ++39 035 67 26 82
Telefax ++39 035 67 02 00
E-Mail: bedema@tin.it

KR HANMO Corporation
3rd Floor, Yeosam Bldg. 648-23
Gangnam-Ku, Seoul, Korea
Tel. ++822 3453 8225
Telefax ++822 3453 8228

LB Energy Center (EC)
Hamra, Leon Street, Shatilla,
Bldg. 4th Floor,
P.O. Box 113-6955
Beirut, Lebanon
Tel. ++961 (0)1 35 38 23
Telefax ++961 (0)1 35 38 23
E-Mail: belimome@emirates.net.ae

MA BELIMO Maghreb
Monica Plage, Villa No. 71
Mohammedia 20650, Morocco
Tel. ++212 2 331 26 59
Telefax ++212 2 331 32 76
E-Mail: belimo.maghreb@wanadoo.net.ma

NL BELIMO Servomotoren B.V.
Radeweg 25, 8171 MD Vaassen
Postbus 300, 8160 AH Epe,
Netherlands
Tel. ++31 5 78 57 68 36
Telefax ++31 5 78 57 69 15
E-Mail: info@belimo.nl

NO BELIMO Spjeldmotorer A/S
Konnovgate 5
0192 Oslo 1, Norway
Tel. ++47 22 70 71 71
Telefax ++47 22 70 71 70
E-Mail: belimo@online.no

NZ Modulair New Zealand Ltd.
P.O. Box 40033
Upper Hutt, New Zealand
Tel. ++64 4 388 48 03
Telefax ++64 4 388 48 03

PH BELIMO Actuators Philippines
Rm.# 507 Anita Build., 5th Floor
1300 Quezon Ave., Cor.South Ave.
1103 Quezon City, Philippines
Tel. ++63 (2) 373 5440
Telefax ++63 (2) 373 5424
E-Mail: philippines@belimo.com.hk

PK Union Dynamics Corporation
B-152 Unit 7-8 Chandni Plaza
Chandni Chowk, Satellite Town,
Rawalpindi, Pakistan
Tel. ++92 (0)51 45 40 39
Telefax ++92 (0)51 42 23 01

PL BELIMO Sp.z o.o.
ul. J. Smulikowskiego 4a
00-389 Warszawa, Poland
Tel. ++48 (0)22 826 24 32
Telefax ++48 (0)22 826 10 10
E-Mail: info@belimo.pl

RO Mano Construct srl
Dr Felix 53, ap 14, sector 1
Bucuresti, Romania
Tel. ++401 220 05 78
Telefax ++401 221 59 95
E-Mail: manoconstruct@fx.ro

RU BELIMO Servomotors
Russia Ltd.
Nizhnaya Pervomayskaya,
46 Bld.1, Office 303
105203 Moscow, Russia
Tel. ++7 095 965 74 64
Telefax ++7 095 965 74 73
E-Mail: belimo.russia@mtu-net.ru

SE BELIMO Spjälmotorer AB
Hägerstens Allé 88
129 37 Hägersten, Sweden
Tel. ++46 (0)8 88 07 00
Telefax ++46 (0)8 97 85 75
E-Mail: info@belimo.se

SY Philippe A. Jebran
P.O. Box 7791
Damascus, Syria
Tel. ++963 11 231 6586
Telefax ++963 11 231 4052
E-Mail: belimome@emirates.net.ae

TR BELIMO Otomasyon A.S.
Hayriye Caddesi No. 16
TR-80060 Galatasaray-Istanbul
Turkey
Tel. ++90 (0)212 249 76 43
Telefax ++90 (0)212 243 02 58
E-Mail: info@belimo.com.tr

TW Chienseng Enterprise Co. Ltd.
2F, No. 21, Tong Fong Street
Taipei, Taiwan
Tel. ++886 2 27 08 77 80
Telefax ++886 2 27 02 90 90
E-Mail: taiwan@belimo.com.hk

UA BELIMO Ukraine S.A.R.
34-A, Ul. Yurkovskaya, Apt.N°2
254080 Kiev, Ukraine
Tel./Telefax ++380 44 463 7586
E-Mail: comaster@belimo.kiev.ua

ZA BELIMO Actuators Southern Africa cc
P.O. Box 2483
Alberton 1450, South Africa
Tel. ++27 (0)11 868 5681
Telefax ++27 (0)11 900 2673
E-Mail: belimo@mega.co.za