

$\phi 2.5\text{mm}$ spot

of heat is measured.

**Audible focussing
guide** lets you
know the best
focus lighten up
with **LED marker**.

THERMO-HUNTER

PT-3S

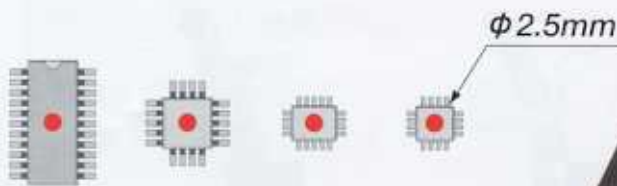


PHOTO:Actual Size

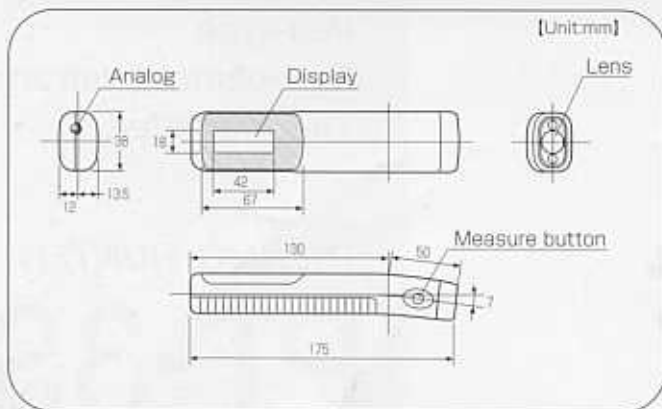


Typical Application

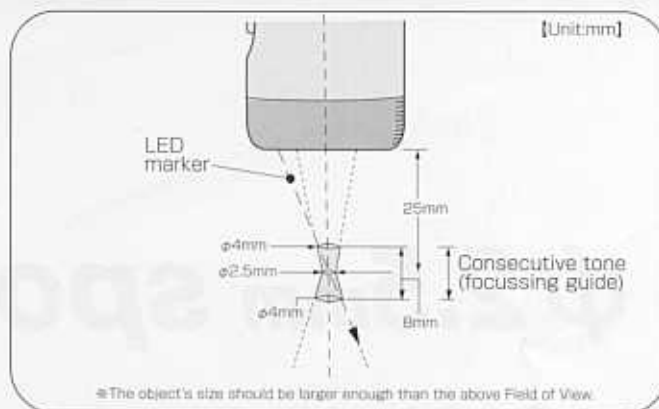
**Electric
PC.Board**

- Minimum Spot Size : $\phi 2.5\text{mm}$
- Audible Focussing Guide
- LED Spot Marker
- Display Range : $-30\sim 230^{\circ}\text{C}$
- Repeatability : $\pm 1^{\circ}\text{C}$
- Analogue Output : (1mv/ $^{\circ}\text{C}$, $^{\circ}\text{F}$)

Dimensions



Field of View



Specifications

Model Number	PT-3S
Measuring Range	0~200°C (32~392°F)
Display Range	-30~230°C (-4~446°F)
Measuring Field Diameter	φ2.5/25mm
Spectral Response	8~14μm
Response	1.5sec
Accuracy	±3°C of reading (ε±0.95) (Ambient temp.25°C)
Repeatability	±1°C of reading (ε±0.95) (Ambient temp.25°C)
Display Resolution	0~200°C : 0.1°C/0.2°F -30~0°C, 200~230°C : 1°C/°F

Sighting Method	Red LED spot marker
Analog Output	1mV/°C(°F)
Emissivity Adjustment	Dark or Bright, Switchable
Hold Function	Normal/Max, Switchable
Power Supply	UM-4 Alkaline drycell ×3pcs
Battery Life	Approx. 40hrs.(Continuous)
Weight	120g
Standard Accessory	UM-4 Alkaline : drycell ×3pcs Analogue output cable ×1 pouch ×1

※Specifications are subject to change without prior notice for improvement.

Easy operation (1 shot mode)



1 Press the Measure button to turn on the power.



2 Bring PT-3S close to the object with pressing the button for measurement. Consecutive tone guides you to optimum focus and distance.



3 The best focus of φ2.5mm spot is lighted up with LED when the marker looks clearest in the measuring distance of 25mm.



4 The display is held by releasing the button.

Option

Flexible Stand S-01



Black Tape HB-100

[Basic Usage and Principles]

The Black Tape (HB-100) can be applied to any object, letting you easily and correctly measure the temperature of any object. When measuring objects with manual emissivity settings, use the black tape and adjust the emissivity ratio of the model to 0.95. The Black Tape (HB-100) can endure temperatures up to 150°C.



Caution

KEEP THE THERMOMETER AWAY FROM DIRECT SUNSHINE, DUST, HIGH TEMPERATURE, AND HIGH HUMIDITY WHEN USE AND STOCK. Optical lens will become contaminated or be damaged.

KEEP THE THERMOMETER AWAY FROM THE WATER. DO NOT USE IN THE WATER.

This thermometer is not water-resistant.

KEEP THE THERMOMETER AWAY FROM THE PRODUCTS WHICH PRODUCE STRONG ELECTROMAGNETIC WAVES. AVOID SUDDEN CHANGE OF AMBIENT TEMPERATURE.

Fluctuation of ambient temperature may cause wrong measuring results. In such a case, leave the thermometer for some time to make it into stable condition prior to next measurement.

NEVER CONTACT THE THERMOMETER WITH MEASURED OBJECTS. This thermometer is non-contact type. If you contact it with heated objects, it may result in wrong measuring results or fatal defects which cannot be repaired.

DO NOT TOUCH OPTICAL LENS.

Optical lens on the thermometer is made by silicon, so it is easily damaged. Be sure to keep optical lens away from hard or sharp objects. Do not put something into a lens hollow.

DO NOT DROP THE THERMOMETER OR APPLY VIOLENT SHOCKS. KEEP THE THERMOMETER AWAY FROM ELECTRICALLY CHARGED OBJECTS.



OPTEX CO.,LTD (ISO 9001 Certified by LRQA)
4-7-5 Nionohama Otsu 520 Japan
TEL 81(775)24-6049 FAX81(775)24-1491